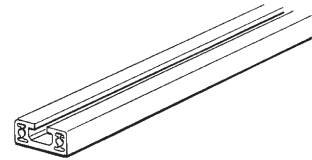
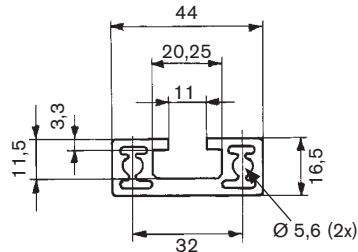


ALUMINUM PROFILES

A wide range of aluminium profiles are available and include, fencing profile, guide rails, and cable ducting. The cable ducting is available in three sizes, and can be delivered with or without mounting holes. The cable ducting is easy to open and can be provided with end caps. Cover strips of plastic are also available, including fencing profiles making the entire groove cross section utilisable as 'installation conduit' for cables. The Aluminium profiles have integral "V" grooves to aid in centring any drilling that may be necessary.

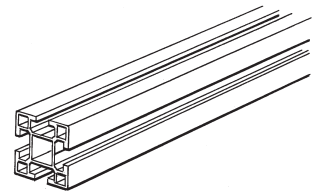
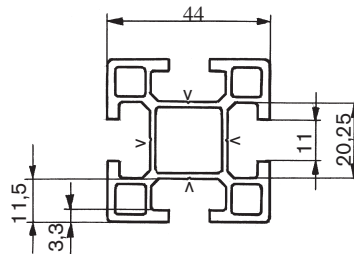
Fencing Profile

Designation: JSM A4416
 Article numbers: 40-037-70 (cut to length)
 40-037-74 (L=6000)
 Material: Naturally anodized aluminium
 Dimensions: 16,5x44 mm



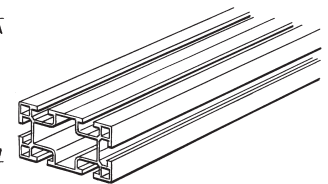
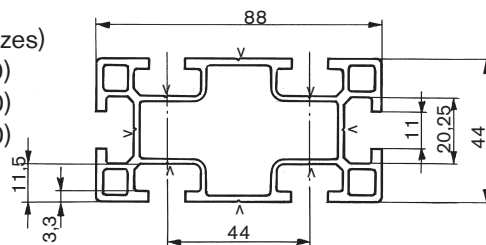
Designation: JSM A44A
 Article numbers: 40-037-35 (cut to sizes)
 40-037-98 (L=1400)
 40-037-37 (L=2000)
 40-037-38 (L=2000)
 40-037-39 (L=2400)
 40-037-40 (L=2500)
 40-037-41 (L=6000)

Material: Natural anodized aluminium
 Dimensions: 44x44 mm
 Order Unit: 10 pcs/box

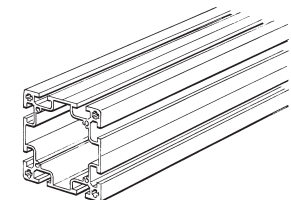
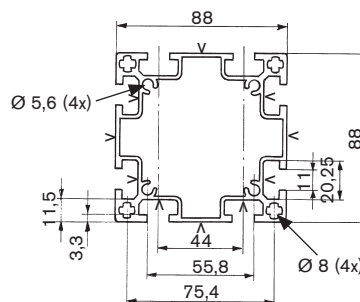


Designation: JSM A4488A
 Article numbers: 40-037-42 (cut to sizes)
 40-037-43 (L=2000)
 40-037-44 (L=2200)
 40-037-45 (L=6000)

Material: Natural anodized aluminium
 Dimensions: 44x88 mm
 Order Unit: 5 pcs/box

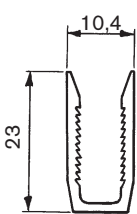
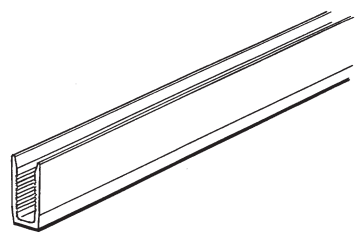
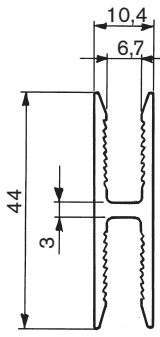
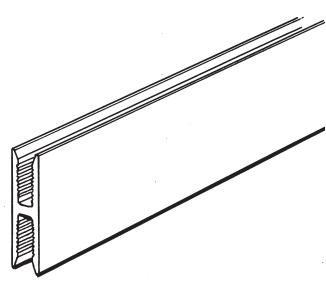
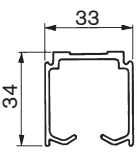
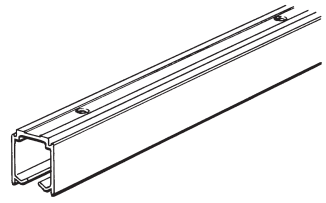
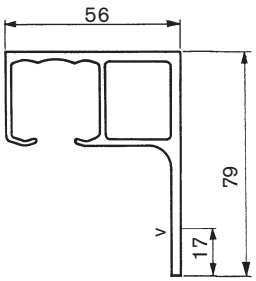
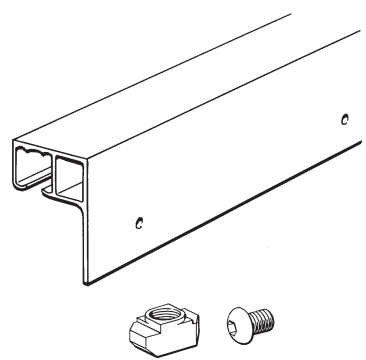
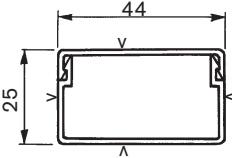
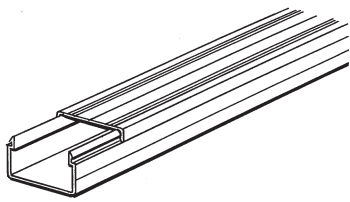


Designation: JSM A8888
 Article numbers: 40-037-75 (cut to length)
 40-037-79 (L=6000)
 Material: Natural anodized aluminium
 Dimensions: 88x88



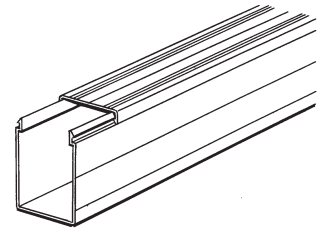
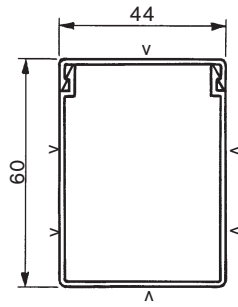
Technical data

Typ	Vikt (kg/m)	Angular moment		Flexural resistance	
		I _x (mm ⁴ x10 ⁴)	I _y (mm ⁴ x10 ⁴)	W _x (mm ³ x10 ³)	W _y (mm ³ x10 ³)
JSM A4416	1.040	1.1	7.6	1.19	3.43
JSM A44A	1.504	12.4	12.4	5.64	5.64
JSM A4488A	2.379	79.6	21.6	18.1	9.8
JSM A8888	3.632	143.0	143.0	32.5	32.5

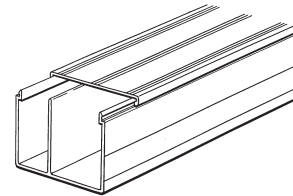
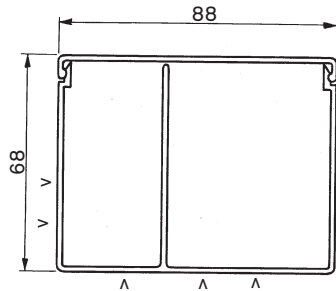
Fencing U-Profile			
Designation:	JSM A12		
Article numbers:	40-037-28 (cut to sizes, max 2.0 m) 40-037-27 (L=1076) 40-037-46 (L=1476) 40-037-47 (L=2000)		
Material:	Natural anodized aluminium		
Weight:	0.230 kg/m		
H-profile			
Designation:	JSM A13		
Article numbers:	40-037-50 (JSM A13 cut to sizes) 40-037-51 (L=1076) 40-037-52 (L=1476) 40-037-53 (L=2020)		
Material:	Natural anodized aluminium		
Weight:	0.452 kg/m		
Guide Rails			
Designation:	JSM A3130B		
Article number:	40-037-26		
Material:	Natural anodized aluminium		
Holes:	c-c = 275 mm, $\varnothing = 6$ mm		
Standard Length:	4.0 m		
Weight:	0.530 kg/m		
Designation:	JSM A56		
Article number:	40-037-49 (Cut to sizes incl. screws) 40-037-08 (Length 2.0 m, incl. screws) 40-037-48 (Length 6.0 m, incl. screws)		
Delivered with:	Screw JSM S8E Nut JSM M8B		
Material:	Natural anodized aluminium		
Holes:	c-c = 450 mm, $\varnothing = 8.5$ mm		
Standard Length:	2.0; 6.0 m		
Weight:	1.585 kg/m		
Cable Ducting			
Designation:	JSM A25_		
Article numbers:	40-037-13 (JSM A25A) 40-037-14 (JSM A25B)		
Material:	Natural anodized aluminium		
Dimensions:	44x25 mm		
Standard Length:	2.0 m		
JSM A25A:	with holes c-c = 500 mm $\varnothing = 5$ mm		
JSM A25B:	without holes		
Order Unit:	10 pcs/box		
Weight:	0.545 kg/m JSMA25A 0.567 kg/m JSMA25B		

1
2
3
4
5
6
7
8
9
10
11
12
13

Designation: JSM A60_
 Article numbers: 40-037-15 (JSM A60A)
 40-037-16 (JSM A60B)
 Material: Natural anodized aluminium
 Dimensions: 44x60 mm
 Standard Length: 2.0 m
 JSM A60A: with holes c-c = 500 mm
 $\varnothing = 5$ mm
 JSM A60B: without holes
 Order Unit: 10 pcs/box
 Weight: 0.923 kg/m JSMA60A
 0.950 kg/m JSMA60B



Designation: JSM A88
 Article number: 40-037-33
 Material: Natural anodized aluminium
 Dimensions: 88x68 mm
 Standard Length: 2.0 m
 Weight: 1,844 kg/m



Cable tie

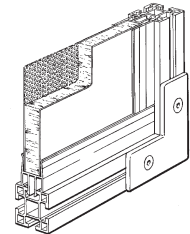
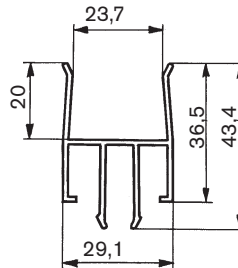
Designation: JSM X1
 Article number: 40-033-43
 Pre-assembled with: Screws and Nuts
 Order Unit: 10 pcs/box
 Material: Nylon 6/6 black



Profiles for installation of acoustic damping

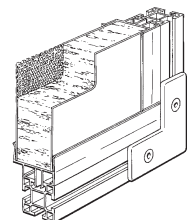
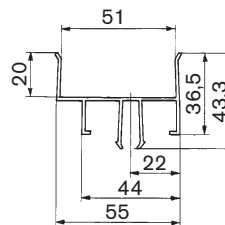
Profile for 25 mm sound-absorbing panel, JSM YLA25A_

Designation: JSM AS1
 Article numbers: 40-037-95 (cut to length)
 40-037-09 (L=2000)
 Material: Naturally anodized aluminium
 Dimensions: 29x43 mm
 Weight: 0,545 kg/m



Profile for 50 mm sound-absorbing panel, JSM YLA50A

Designation: JSM AS3
 Article numbers: 42-021-80 (cut to length)
 42-021-81 (L=6000)
 Material: Naturally anodized aluminium
 Dimensions: 43x56 mm
 Weight: 0,694 kg/m



Profile for double 5mm Polycarbonate panel, JSM YPC5_

Designation: JSM AS2
 Article numbers: 40-037-96 (cut to length)
 40-037-10 (L=2000)
 Material: Naturally anodized aluminium
 Dimensions: 40x23 mm
 Weight: 0,510 kg/m

